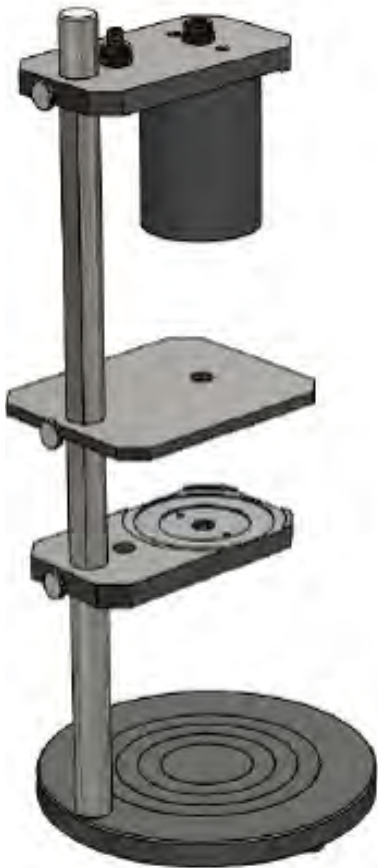


T/R Stages for Transmission and Reflection



This transmission and reflection stage is the ideal companion to make it easier to perform reflection and transmission measurements. The TR-Stage is a great accessory to perform and create multiple measurement set-ups.

The TR-stage consists of 3 different elements:

- The top plate can hold a COL-UV/VIS (included) or a 6.35 mm reflection probe. It also has a cover to shield against ambient light.

- The middle plate is intended to place the sample on.

- The bottom plate can be used to mount or position a COL-UV/VIS, AvaSphere-xx-IRRAD (xx= 30 or 50) or WS-2 Reference tile. With an additional plate, the TR-LSHAL-Holder, it can be used in combination with the AvaSphere-50-LS-HAL-12V as well (not included).

Ordering Information

TR-Stage

- Transmission stage for use with 30/50 mm Avasphere, WS-2 reference tile, COL-UV/VIS or 6.35mm probe.

TR-LSHAL-Holder

- Additional AvaSphere-50-LS-HAL-12V holder for TR-Stage

