

1

2

3

4

5

A

A

B

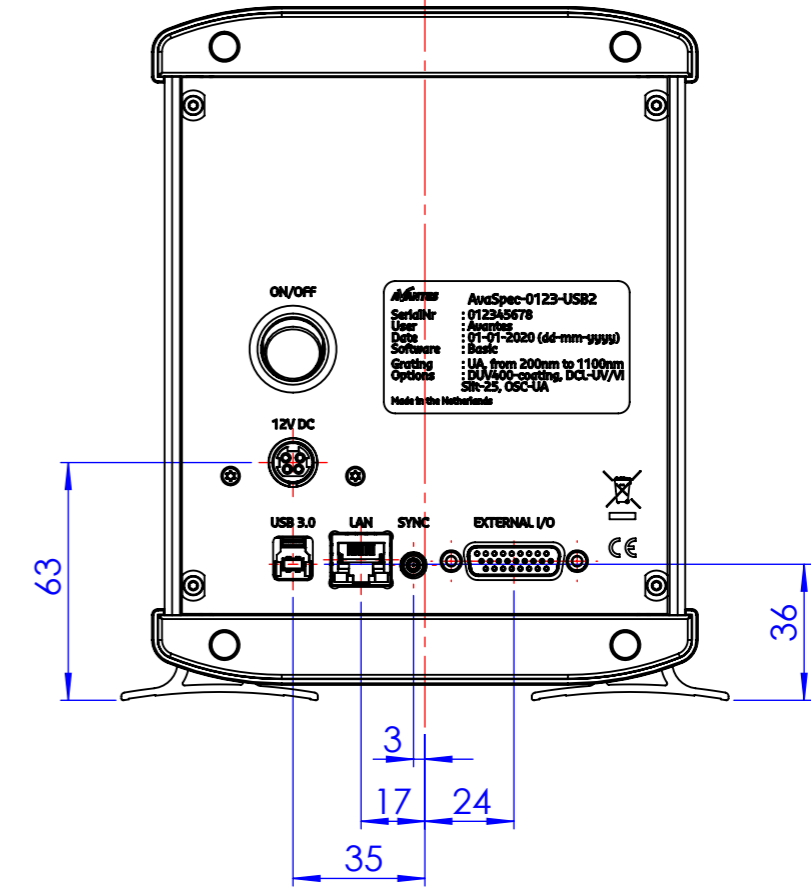
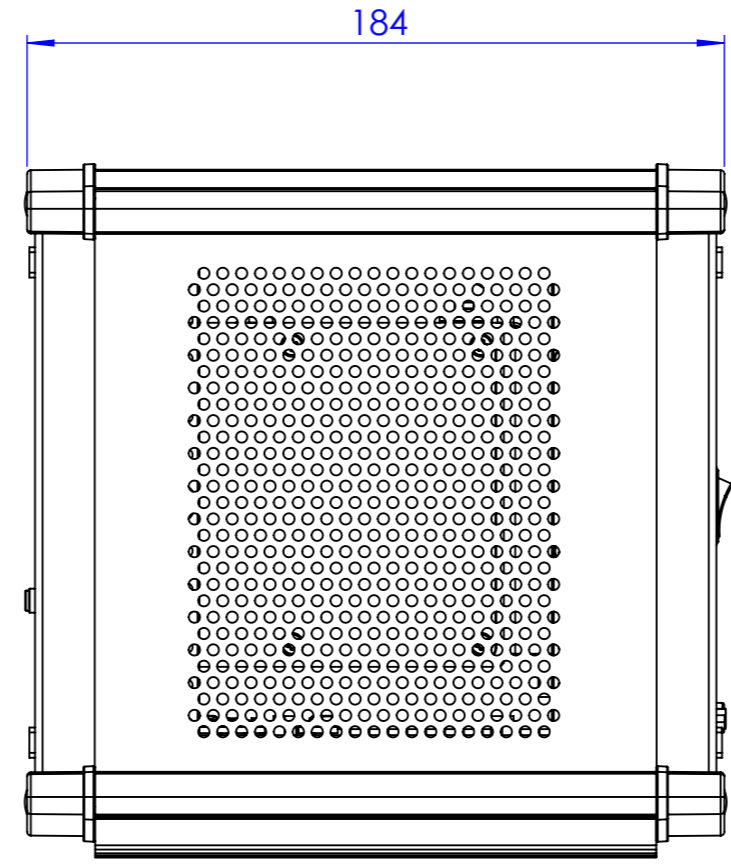
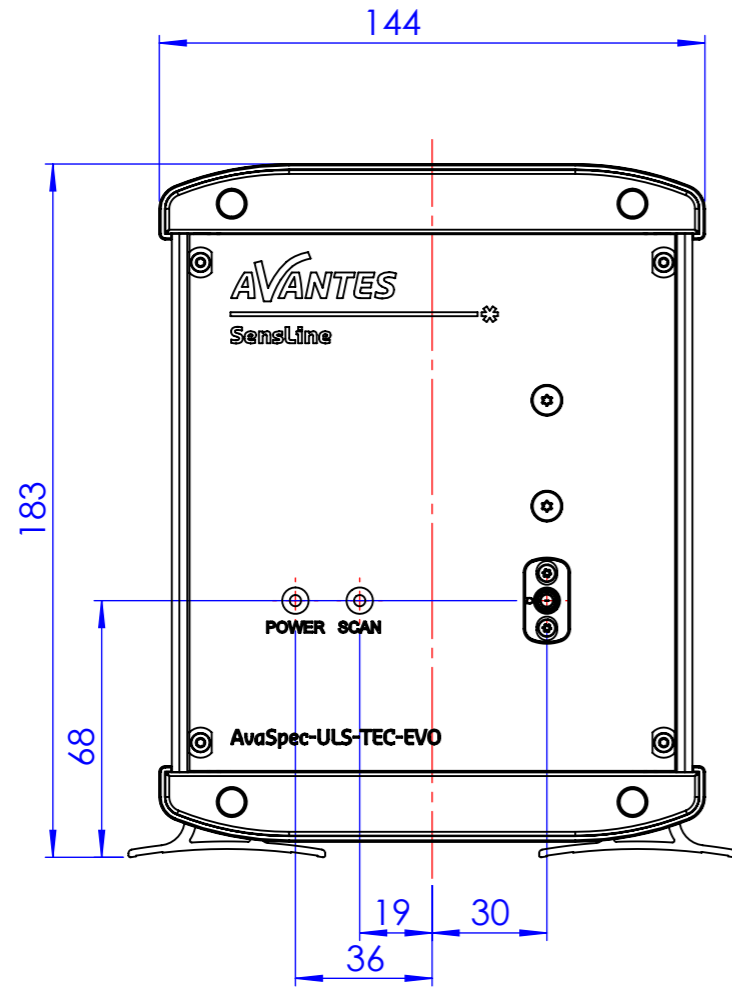
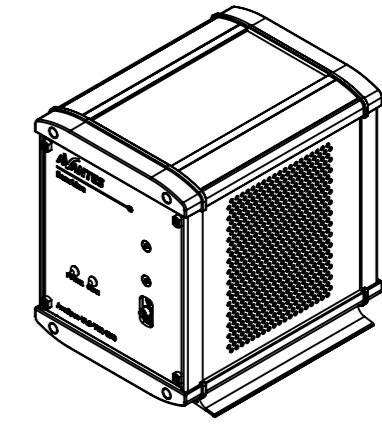
B

C

C

D

D



Description Thermoelectrically cooled spectrometer Technical Drawing	American projection Dimensions in mm	Form and position Unless Specified Otherwise According to: NEN-ISO R 1101 and 2768 mK 	
	all rights strictly reserved reproduction or issue to third parties in any form whatever is not permitted without written authority from the proprietor	General Roughness Ra in um ISO 1302	General tolerances Linear: -- Angle: --
Oude Apeldoornseweg 28 NL-7333 NS Apeldoorn The Netherlands +31 313 670170 www.avantes.com		Size A3	Drawing number AVASPEC-ULS-TEC-EVO-TD
Scale 1:2	Sheet 1 of 1	Status Released	Rev. B

1

2

3

4

5

Print Date: 13/06/2022