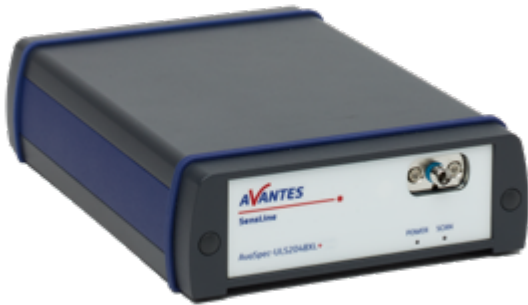


AVASPEC-ULS2048XL+



SENSLINE SPECTROMETERS



The AvaSpec-ULS2048XL+ spectrometer delivers exceptional performance by combining high quantum efficiency with advanced high-speed communication capabilities.

Unlike conventional back-thinned CCD spectrometers featuring two-dimensional arrays, this model incorporates large, monolithic pixels measuring 14×500 microns. This design ensures superior efficiency in both the UV and the NIR range.

PRODUCT VARIATIONS

To provide our customers with the best possible service, the ULS2048XL+ spectrometer is available in two product variations.

1. ULS2048XL+

Available with 2048 pixel detector, high speed data transfer, and a replaceable slit to customize your throughput and resolution.

2. ULS2048XL+ OEM

Industrial OEM-version with a stainless steel electromagnetic compatible housing. Optimized for integration into your product or system.

WHY THE ULS2048XL+

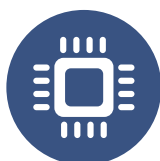
- Exceptional sensitivity in the UV & NIR range
- Large monolithic pixels
- Improved image lag up to 10 times (vs. ULS2048XL)
- Ultra-fast integration times (2 microseconds)
- High-speed communication
- Electronic shutter
- Detector collection lens to boost sensitivity
- Improved EMC shielding (vs. ULS2048XL)

APPLICATIONS & INDUSTRIES

The ULS2048XL+ is optimized for a wide variety of applications. Including, but not limited to;



Agriculture & Food
Quality Control
Authenticity Testing



Semiconductor
Defect Detection
Coating Deposition



BioMedical
Fluorescence Detection
Tissue Characterization



Environmental
Pollutants Detection
Water Quality



System Integration
Integrate into your
product or system

SPECIFICATIONS AVASPEC-ULS2048XL+

Technical Data	
Optical Bench	Symmetrical Czerny-Turner design, 75 mm focal length
Wavelength range	190 - 1160 nm
Stray light	<1%
Detector	HAM S11155 Back thinned CCD image sensor 2048 pixels
Signal/Noise	525:1
Dynamic Range	14.500
Dark noise	5 cnts
AD converter	16-bit, 857KHz
Integration time	2 μ s – 20 sec
Interface	USB 3.0, Gigabit Ethernet
Data transfer speed	2,5ms/scan (with shortest integration time of 2 μ s)
Analog I/O	2 in, 2 out
Digital I/O	HD-26 connector, 3 in, 12 out (including laser and strobe out), Trigger input
Dimensions, weight	175 x 127 x 44,5 mm, 1180 grams
Power supply	Default USB power, 5V, external power 5-12V
Temperature range	5-55 °C

GRATINGS

Use	Useable range (nm)	Spectral range (nm)	Lines/mm	Blaze (nm)	Order code
UV/VIS/NIR	190-1160**	960**	300	300	UA
UV/VIS/NIR	190-1160**	900**	300	300/1000	UNA/DB
UV/VIS	190-850	520	600	300	UB
UV	190-750	250-220*	1200	250	UC
UV	190-650	165-145*	1800	UV	UD
UV	190-580	115-70*	2400	UV	UE
UV	190-400	70-45*	3600	UV	UF
UV/VIS	250-850	520	600	400	BB
VIS/NIR	300-1160**	860**	300	500	VA
VIS	360-1000	500	600	500	VB
VIS	300-800	250-200*	1200	500	VC
VIS	350-750	145-100*	1800	500	VD
VIS	350-640	75-50*	2400	VIS	VE
NIR	500-1050	500	600	750	NB
NIR	500-1050	220-150*	1200	750	NC
NIR	600-1160	350-300	830	800	SI
NIR	600-1160**	560**	300	1000	IA
NIR	600-1160	500	600	1000	IB

Note: a selection of starting wavelength is possible, contact us for available configurations.

* Depends on the starting wavelength of the grating; the higher the wavelength, the bigger the dispersion and smaller the range to select

** Please note that not all pixels will be used for the useable range

MORE DATA ON THE NEXT PAGE >

RESOLUTION (FWHM in nm)

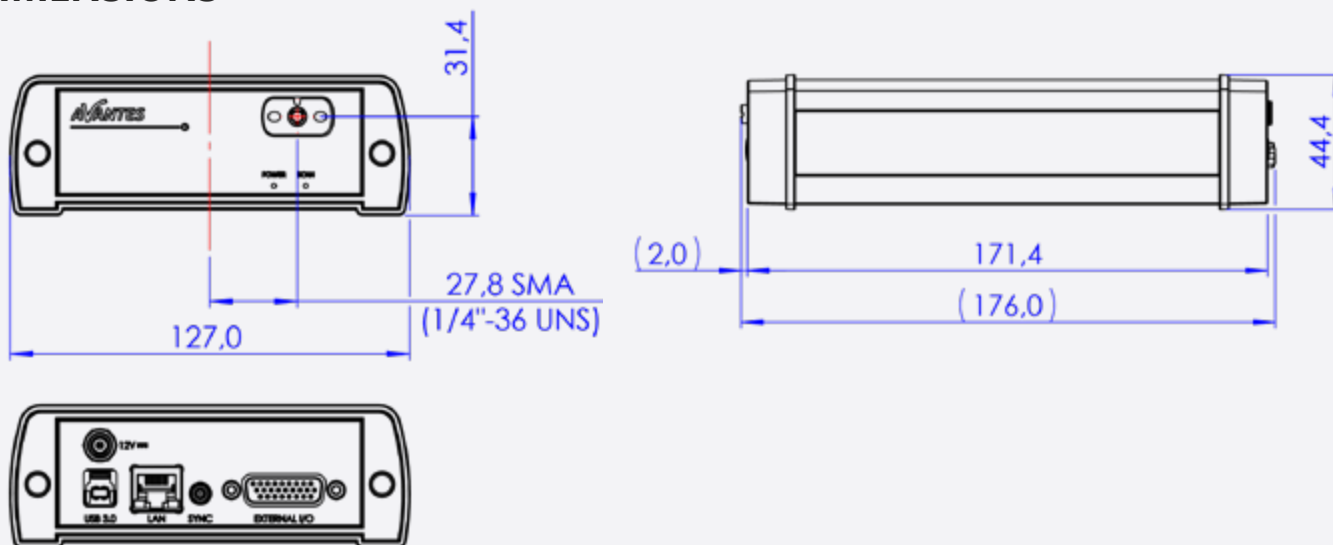
Slit size (µm)	10	25	50	100	200	500
300 lines/mm grating	1.4	1.5	2.5	4.8	9.2	21.3
600 lines/mm grating	0.75-0.80*	0.75-0.85*	1.2	2.4	4.6	10.8
830 lines/mm grating	0.42-0.48*	0.50-0.58*	0.93	1.7	3.4	8.5
1200 lines/mm grating	0.25-0.31*	0.37-0.43*	0.52-0.66*	1.1	2.3	5.4
1800 lines/mm grating	0.17-0.21*	0.26-0.32*	0.34-0.42*	0.8	1.5	3.6
2400 lines/mm grating	0.12-0.18*	0.18-0.24*	0.26-0.34*	0.44-0.64*	1.1	2.7
3600 lines/mm grating	0.09-0.12*	0.11-0.15*	0.19	0.4	0.8	1.8

*Depends on the starting wavelength of the grating; the higher the wavelength, the bigger the dispersion and the higher the resolution.

ORDERING INFORMATION

Order code	Ordering information
AvaSpec-ULS2048XL+	Ultra-low stray-light fiber-optic spectrometer, 75 mm AvaBench, 2048 large 500 µm pixel black-thinned CCD detector, USB powered, high-speed USB3.0 and ETH interface, incl. AvaSoft-Basic, USB interface cable. Specify grating, wavelength range and (OEM) options.

DIMENSIONS



Dimensions in mm

Discover all our empowering spectroscopy solutions on our website www.avantes.com
 We reserve the right to make changes without prior notice. While every effort has been made to ensure all information in this document is accurate, Avantes accepts no liability for any inaccuracies.

