

A

B

C

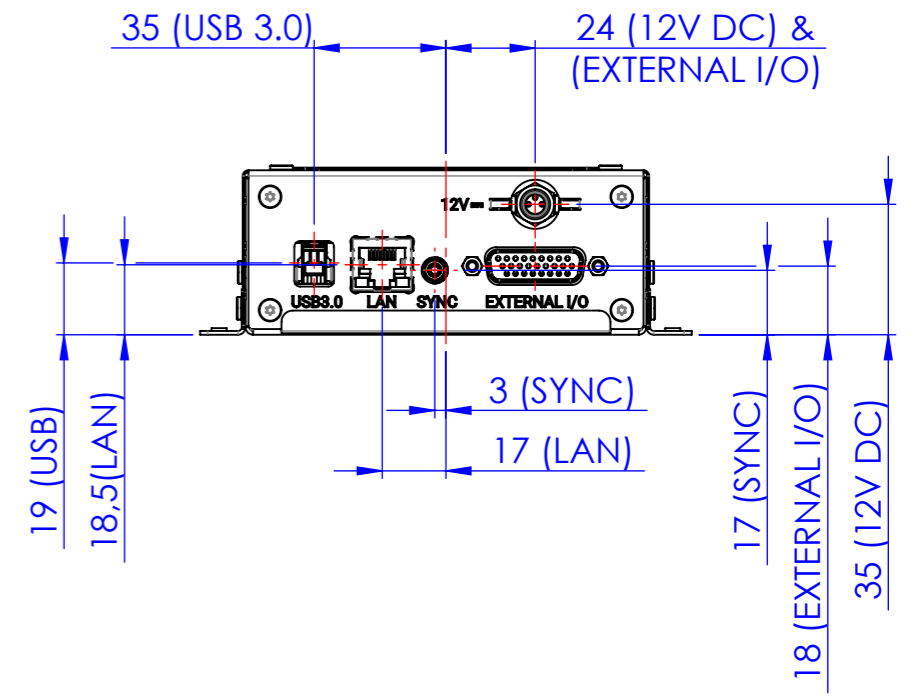
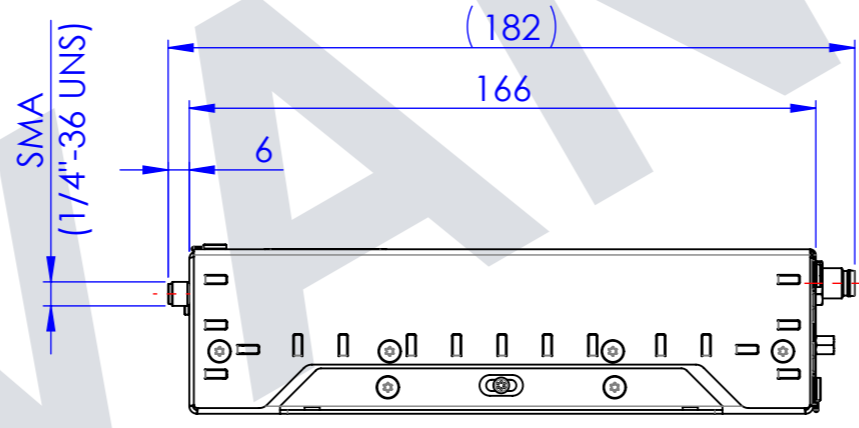
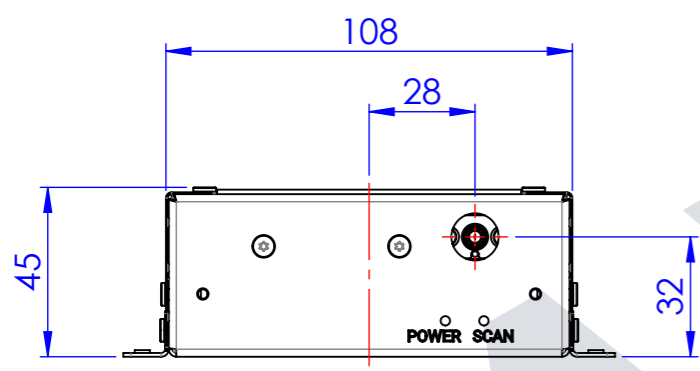
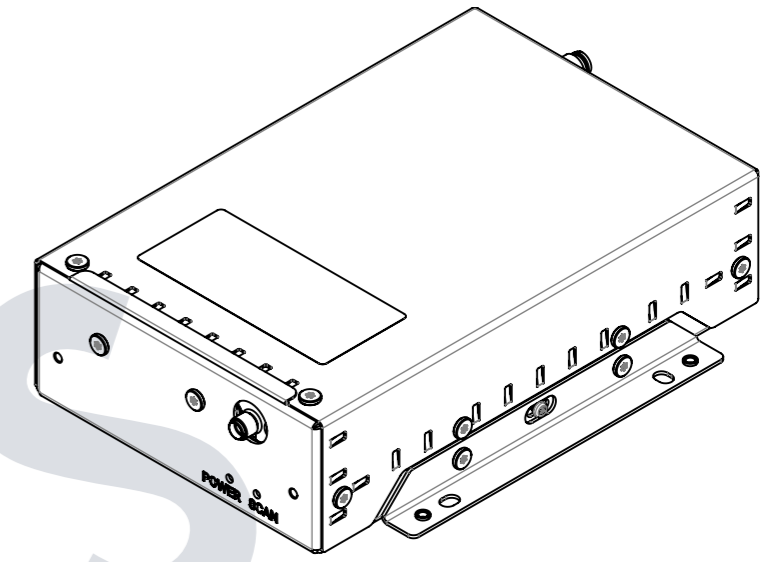
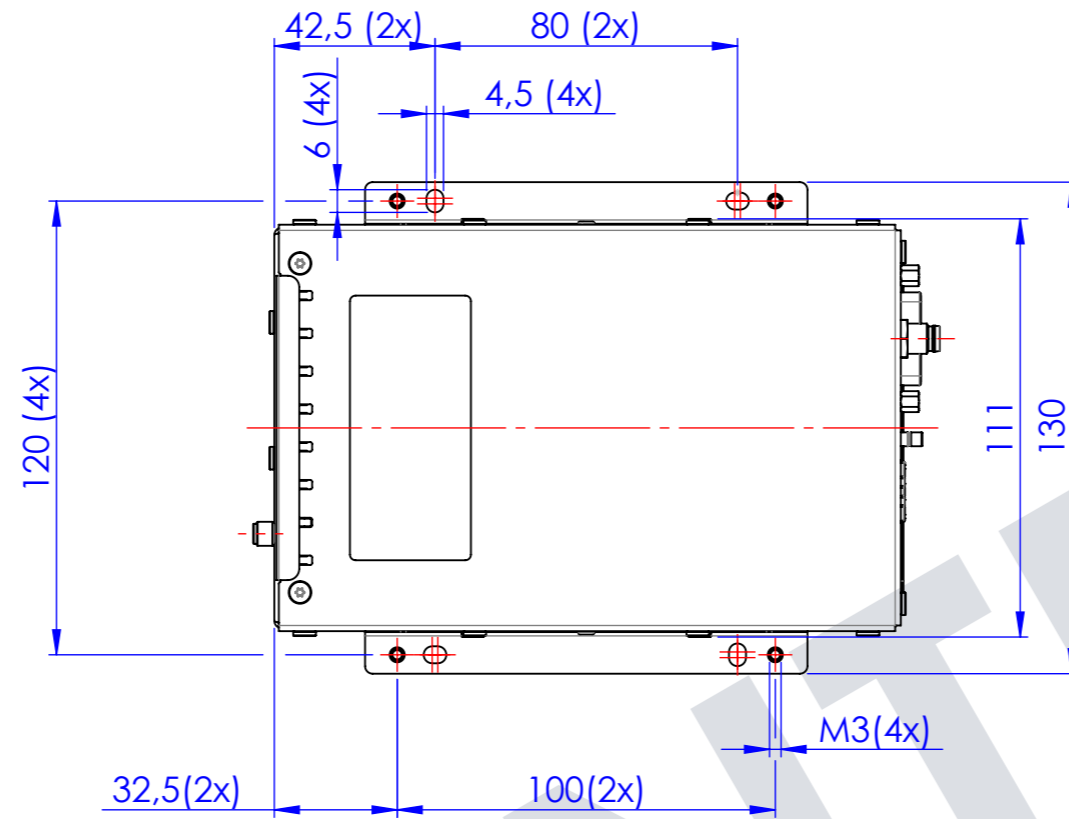
D

A

B

C

D



Dimensions on this drawing are for information only.	American projection Dimensions in mm	Description remarks Technical drawing	
This document is property of Avantes all rights strictly reserved reproduction or issue to third parties in any form whatever is not permitted without written authority from the proprietor		Description AVASPEC-ULS2048XL+ EVO in OEM HOUSING	
Oude Apeldoornseweg 28 NL-7333 NS Apeldoorn The Netherlands +31 313 670170 www.avantes.com MEMBER OF THE NYNOMIC GROUP	Size A3	Drawing number AvaSpec-ULS2048XL+-EVO-OEM-TD	Rev. A
Scale 1:2	Sheet 1 of 1	Status Released	Print Date: 18/03/2025