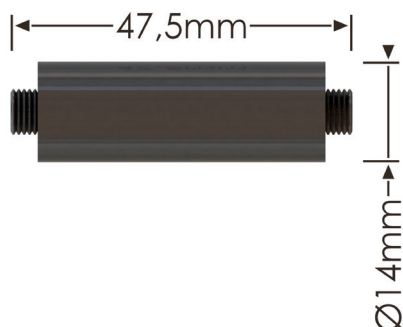


Fiber-optic Homogenizer

MMA-UV/VIS-SMA Homogenizer



When connecting a multi-furcated fiber to a spectrometer or light source, light entering/exiting each of the fiber legs may or may not be uniform, so a fiber-optic homogenizer can be used to mix the signals to provide more uniform signal.

3 mm transmits the light from one end to the other (from bundle to single fiber) and perfectly mixes the modes.

The fiber-optic homogenizer can also be used as a mode stripper.

The compact MMA-UV/VIS-SMA fiber-optic homogenizer is made of anodized aluminum and has female SMA-905 connectors on both ends. Internally, a highly transmissive Suprasil-Rod with a diameter of 1 or

Technical data

Wavelength Range	200-2000 nm
Optical Rod Diameter Stabdurchmesser	3 mm or 1 mm
Lens Material	Suprasil 1
Housing Material I	Aluminum anodized
Fiber Connection	SMA-905, UNS 1/4"
Dimensions	Length 47.5 mm, Diameter 14 mm
Temperature	-30 °C to +100 °C

Ordering Information

MMA1-UV/VIS-SMA	• Homogenizer / Modestripper 1 mm UV/VIS diameter for SMA Connectors
MMA3-UV/VIS-SMA	• Homogenizer / Modestripper 3 mm UV/VIS diameter for SMA Connectors

Fiber Microscope Adapters



To easily mount an Avantes fiber-optic spectrometer to a microscope, a C-mount adapter is available. It connects to an SMA or FC/PC fiber-optic cable and features an outside diameter

of 38 mm, 35 mm long to slide inside the tube of a microscope. A special adapter with C-mount 1 inch-32 thread is available as AVS-MFA-SMA to screw onto a microscope.

Technical Data

	AVS-MFA-SMA	AVS-CMOUNT-SMA	AVS-CMOUNT-FCPC
Fiber-optic connection	SMA	SMA	FC/PC
Microscope mount	1 inch-32 Cmount thread	38 mm diameter	38 mm diameter
Material	Black anodized aluminum		

Ordering Information

AVS-MFA-SMA	• C-mount adapter for Olympus, SMA connector
AVS-CMOUNT-SMA	• C-mount adapter, SMA connector
AVS-CMOUNT-FCPC	• C-mount adapter, FC/PC connector